

ROCKTRON
TECHNOLOGY FOR GUITARISTS

TRI-WAH



WAH WAH WITH SELECTABLE MODES
NORMAL - CLASSIC - BASS

- o 3-POSITION SELECTOR SWITCH ALLOWS YOU TO CHOOSE ONE OF THREE DIFFERENT WAH VOICING MODES (1) NORMAL, (2) CLASSIC, OR (3) BASS.
- (1) NORMAL SETTING OFFERS THE FREQUENCY SWEEP THAT IS INDUSTRY STANDARD
- (2) CLASSIC SETTING IS A SWEET VINTAGE WAH THAT IS MUSICAL AND EXPRESSIVE.
- (3) THE BASS SETTING IS NOT ONLY DESIGNED FOR BASS GUITAR - IT ALSO PROVIDES THE FREQUENCY SWEEP TO MAKE DROPPED TUNED AND 7 STRING GUITARS SCREAM!
- o ADJUSTABLE PEDAL ROCKER TENSION.

MAY BE COVERED BY ONE OR MORE OF THE FOLLOWING: U.S. PATENTS
#4538297, 4647876, 4696044, 4745309, 4881047, 4893099, 5124657, 5263091,
5268527, 5319713, 5333201, 5402498 AND 5493617.
OTHER PATENTS PENDING. FOREIGN PATENTS PENDING.



Your Tri-Wah™ pedal has been tested and complies with the following Standards and Directives as set forth by the European Union:

Council Directive(s): 89/336/EEC Electromagnetic Compatibility

Standard(s): EN55013, EN50082-1

This means that this product has been designed to meet stringent guidelines on how much RF energy it can emit, and that it should be immune from other sources of interference when properly used. Improper use of this equipment could result in increased RF emissions, which may or may not interfere with other electronic products.

To insure against this possibility, always use good shielded cables for all audio input and output connections. This will help insure compliance with the Directive(s).

For more information about other Rocktron products, please see your local dealer or one of our importers closest to you (listed on the Rocktron website - www.rocktron.com).

Precautions

Read all instructions contained in this manual.

Keep these instructions

Heed all warnings

Follow all instructions.

Do not use this apparatus near water.

Clean with dry cloth

Precautions Continued....

Do not block any ventilation openings (if applicable). Install in accordance with the manufacturer's instructions.

Do not install near any heat sources such as radiators, heat registers, stoves or other apparatus (including amplifiers) that produce heat.

This product is not equipped with a plug or cable. This pedal runs on a 9 Volt Battery, if a 9-Volt DC adapter is the used please follow adapter manufacturer's operation instructions.

Only used attachments/accessories specified by the manufacturer.

Do not use this product with any case, stand tripod, bracket or table that is not specified by the manufacturer. Insure that the case, stand, tripod, bracket etc. is properly adjusted and setup (follow all instructions). Extra care and caution should be taken to avoid tip over and injury.

Unplug this apparatus during lightening storms or when unused during long periods of time.

Refer all service to qualified service personnel. Servicing is required when the apparatus has been damaged in any way, such as power supply or plug is damaged, liquid has been spilled or objects have fallen into the apparatus or if the apparatus has been exposed to rain or moisture, does not operate normally or has been dropped.

DO NOT ATTEMPT TO SERVICE THIS EQUIPMENT. QUALIFIED PERSONNEL SHOULD SERVICE THIS EQUIPMENT ONLY. DO NOT MAKE ANY INTERNAL ADJUSTMENTS OR ADDITIONS TO THIS EQUIPMENT AT ANY TIME OR TAMPER WITH INTERNAL ELECTRONIC COMPONENTS AT ANY TIME. FAILURE TO FOLLOW THESE INSTRUCTIONS MAY VOID THE WARRANTY OF THIS EQUIPMENT AS WELL AS CAUSING A SHOCK HAZARD.

OPERATING TEMPERATURE

Do not expose this unit to excessive heat. This unit is designed to operate between 32 F and 104 F (0 C and 40 C). This unit may not function properly under extreme temperatures.

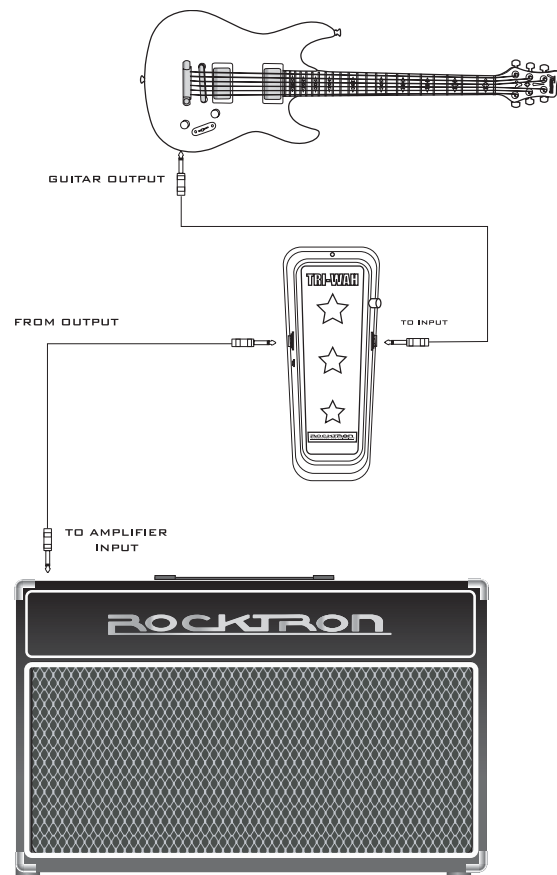
Introduction

Congratulations on your purchase of the Rocktron Tri-Wah. The Tri-Wah is a multifunction wah pedal with extremely useful and musical features.

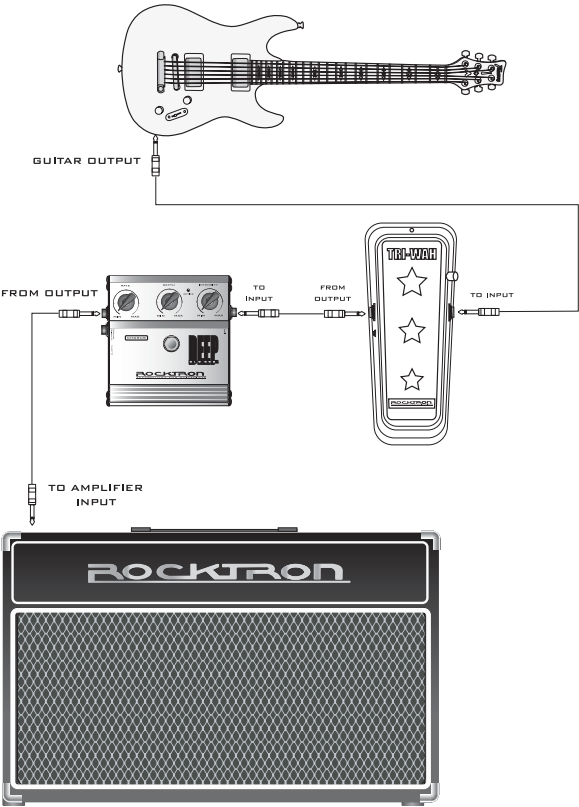
The Tri-Wah has a three position selector switch that allows you to choose one of three different wah voicing modes. The NORMAL setting offers a frequency sweep that is industry standard while CLASSIC is a sweet vintage wah that is musical and expressive. The BASS setting is not only design for bass guitar - it also provides the frequency sweep the make dropped tune guitars and 7-strings scream!

The easy access battery compartment will make changing batteries during a gig a breeze. And, we have incorporated an adjustable rocker tension screw that will allow you to adjust the pedal action for a lighter or heavier “touch”.

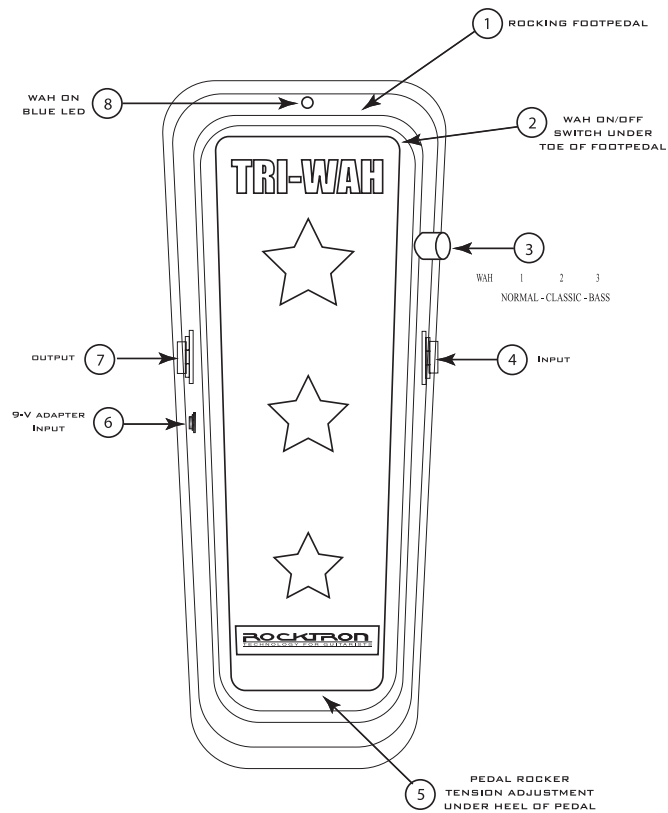
Connection

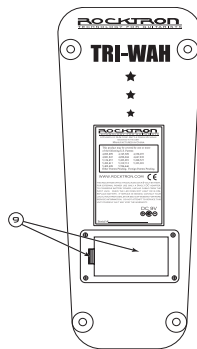
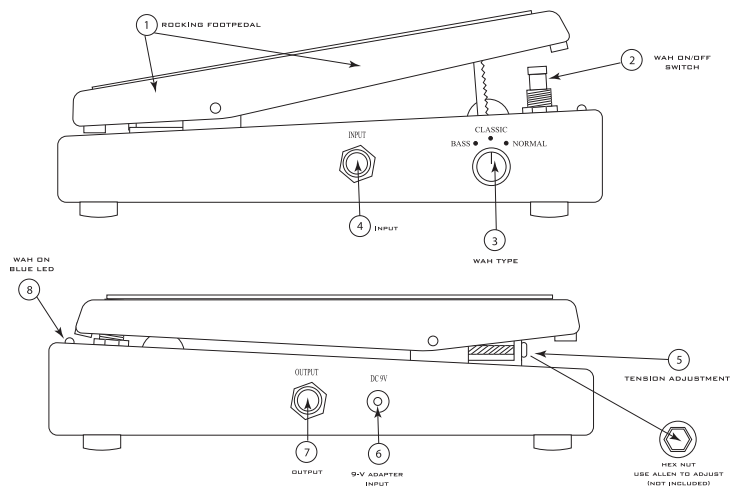


Connection when using with other stomp boxes or effects:



Controls and Descriptions:





Controls and Function Descriptions

- 1 **Rocker Footpedal** - Place your foot on the rocker footpedal and rock it up and down (toe to heel - heel to toe) to work the “wah” effect.
- 2 **Wah ON/OFF Switch** - is located under the toe of the rocker footpedal. To activate the “wah” press down slightly harder on the toe of the rocker pedal until the switch is activated. The same process is to be applied to turn off the wah effect. The wah effect will be on when the blue LED is lit (see point 14).
- 3 **WAH TYPE Selector Control.** This control will allow you to select 3 different Wah models - Normal, Classic and Bass.

NORMAL - in this mode the wah pedal functions as a standard wah wah.

CLASSIC - in this position the wah voicing is changed to a more Classic wah (Hendrix, Page, Clapton, etc.).

BASS - in this position the wah has been voiced to use with a bass guitar and with drop tuned guitars and 7-strings,.

Once you have selected the Wah Type you now can also further modify the sound by using the Moan gain and level controls.

- 4 **INPUT Jack** - using a standard guitar cable - plug your guitar into this jack.

- 5 **PEDAL ROCKER TENSION ADJUSTMENT** - This screw will allow you to adjust the “action” of the pedal to suit your taste with a allen wrench (not included). If you would like a tighter or heavier movement of the pedal using an allen wrench turn the screw clockwise. This will increase the torque and tension on the rocker pedal. If you would like a smoother or softer pedal movement turn the allen screw counter-clockwise. This will loosen the tension on the pedal pivot point.
- 6 **9-VOLT ADAPTER INPUT** - this 2.55mm coax plug will take a 9V DC adapter (not included) to provide power to the unit. The adapter power rating should be 20mA. Please follow all instructions that appear on the bottom of the unit. The Rocktron DC OnTap adapter (sold seperately) is available from your Rocktron dealer.
- 7 **OUTPUT Jack** - using a standard guitar cable, plug this output into the next effect in your effect chain or directly into the input of your guitar amplifier.
- 8 **WAH ON LED** - This super bright blue LED will be lit when the “wah” effect is activated. To activate the wah - see point 2. The blue LED will not be lit when the wah is bypassed.
- 9 **9-VOLT BATTERY COMPARTMENT** - to access pull on small tab labeled “OPEN”. Replace with a new 9-Volt battery. Always remember to unplug your guitar cords from the pedal to conserve battery life. Some battery drain may take place when unit is plugged in (even if the unit is bypassed).

Hints and Tips

The Tri-Wah (as with all Wah Wah pedals) are normally put in the beginning of your signal chain. Although, you may place your wah at any place in your signal chain, it usually sounds best at the beginning - directly from your guitar (or bass).

Specifications

Maximum Input	+10dBu
Input Impedance	1M ohm
Output Impedance	1K ohm
Wah frequency Range	400Hz (Heel Down) to 2KHz (Toe Down)
Current Consumption	35ma
Power Requirements	9VDC <=300ma

** CE Approved **

Other Rocktron Products

Rack Gear:

Gainiac 2 (*preamp w/12ax7 tube*)

Xpression (*multi-effects processor*)

Blue Thunder (*bass preamp w/multi-effects*)

Voodoo Valve® (*preamp w/12ax7 tube and multi-effects*)

Prophecy (*our top of the line preamp with multi-effects*)

HUSH® Super C (*guitar noise silencing system*)

Velocity® 100 (*2x50W Stereo Power Amp for Guitar*)

Stomp Boxes:

Rampage Distortion, Tsunami Chorus, Austin Gold Overdrive,

Vertigo Vibe Rotating Vibe Pedal, HUSH® The Pedal,

Sonic Glory Overdrive, Short Timer Digital Delay,

Big Crush Compressor, Deep Blue Chorus

Silver Dragon Tube Distortion Pedal,

Metal Planet Distortion, Pulse Tremolo, Hypnotic Flange,

X-Tune Tuner Pedal, Black Cat Moan Wah Pedal

Banshee Talk Box, Nitro Booster/Enhancer

DC OnTap - DC Power supply for Stomp Boxes

DC OnTap Cable Package - extra cables to power other stomp boxes.

Foot Controllers:

MIDI Mate (*Midi Foot Controller*) **MIDI XChange**(*MIDI Footcontroller*)

All Access® (*Midi Foot Controller*) **HEX** (*Expression Pedal*)

RMM900(*7-pin Din MIDI Cable*) **RM4** (*MIDI Controller for Vendetta amps*)

RFS1 and RFS2 (*Single and Double Latching Footswitches for Rampage Amps*)

Electric Guitar - Acoustic Guitar and Bass Amplifiers:

Vendetta Head(*100 W Head 4-Channels All Tube - MIDI Switchable*)

Vendetta Combo (*100W 2x12 Combo Celestion 90s all Tube4-Channel MIDI Switchable*)

R80DSP (*80W 1x12 Amp w/Digital Effects*)

RT80 (*80W 1x12 Amp w/Reverb & Built-in Tuner*)

R120DSP (*120W 2x10 Amp w/Digital Effects*)

RT122C (*120W 2x12 Amp w/Stereo Chorus, Reverb & Chromatic Tuner*)

R50DSP (*50 Watt 2x8" Guitar Amp w/Digital Effects*)

R50C (*50 Watt 2x8" Guitar Amp w/Reverb & Chorus*)

R20 (*20 Watt 1x8" Amp w/Reverb*)

R10 (*10 Watt 1x6.5"*)

RB20 (*Bass Amp 20W with 8" Speaker*)

RB30 (*Bass Amp 30W with 10" Speaker*)

RB60 (*Bass Amp 60W with 12" Speaker*)

RB100 (*Bass Amp 100W with 15" Speaker*)

ROCKTRON
TECHNOLOGY FOR GUITARISTS

TRI-WAH


Rocktron - A Division of GHS Corporation
2813 Wilber Ave
Battle Creek MI 49015
USA

Rocktron Phone: 1-(269)-968-3351
Email: info@rocktron.com

www.rocktron.com

2005-0001
Rev. 02/01/05